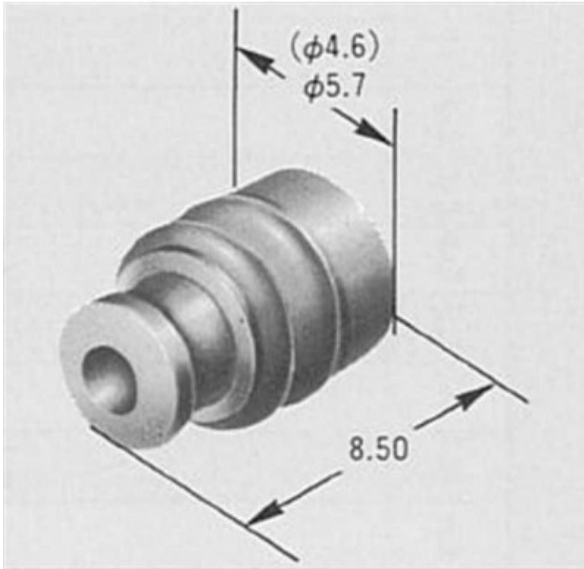


## 090II Connectors Terminal Female 20-24AWG Copy



**Brand:** Yazaki

**Product Code:** YAZ7158-3006-90

**Availability:** 7 Days

**Weight:** 0.01kg

**Dimensions:** 5.00cm x 2.00cm x 2.00cm

**Price: \$1.05**

### Short Description

Wire seal for 090II connectors using 20-24AWG wire. Dark Blue colour