

Brightwater TPMS PLUS Kit - Two wheel set

Brand: Brightwater Technologies
Product Code: BW_TPMS_PLUS_KIT
Availability: In Stock
Weight: 1.00kg
Dimensions: 30.00cm x 20.00cm x
10.00cm

Price: \$1,475.00

Short Description

Finally, a motorsport tyre pressure monitoring system at a reasonable price has arrived. Featuring rugged OEM style sensors, high speed CAN bus connectivity and easy configuration, this kit can have multiple wheel sets added to it as you go.

Description

TPMS system benefits

- Lightweight sensors and receiver
- Connection output for CAN 2.0 1Mbps 11bit.
- Pressure accuracy +/-20 mbar

The Plus Kit comprises:-

- 8 x sensors·Wiring harness·
- 1 x receiver
- 1 x receiver cable

The kit is compatible with competition and race car applications that utilise 1Mbit CAN (11bit).·This has become industry standard over the years for most professional suppliers of ECU's,dashboard and data loggers within the motorsport and other automotive sectors.The new TPMS range has been launched to offer a not-previously-available affordable solution forMotorsport

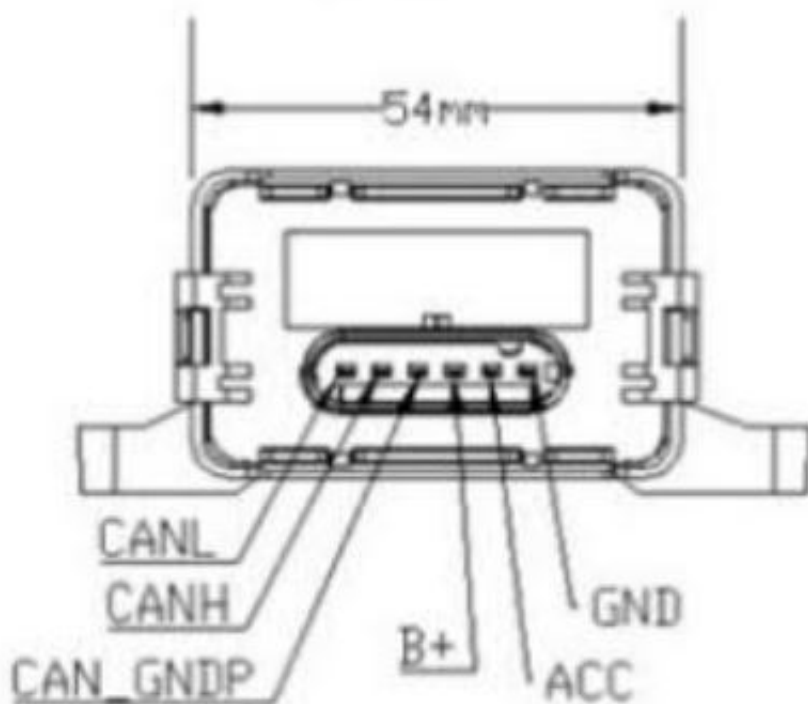
applications. Sensor-overview Sensor-dimensions Each sensor is supplied with an 11mm valve stem. 8mm and alternative valves are available on request. Please contact us for more information.

Additional or replacement sensors can be purchased to suit your application.

Receiver Specifications

The receiver's unique identification numbers ensure that only sensors with these serial numbers can be read. Any number of additional sensors can be cloned to these four unique serial numbers factory set for that receiver. Additional receivers can be supplied with the same serial numbers

- 1 Mbit CAN Interface
- Lightweight
- 4 unique Sensor codes
- Individual CAN ID's for corner positions
- Two or more receivers can be cloned with the 4 unique sensor codes



Tyre Sensor Specifications

- Lightweight 20 grams
- High Accuracy +/- 20 mbar
- 2Hz update





Product Gallery