

# 090II Female Connector Housing 5F - Toyota MAF sensor plug

**Brand:** Yazaki  
**Product Code:** YAZ7283-7050-30  
**Availability:** 7 Days  
**Weight:** 0.05kg  
**Dimensions:** 5.00cm x 5.00cm x 5.00cm

**Price: \$19.25**

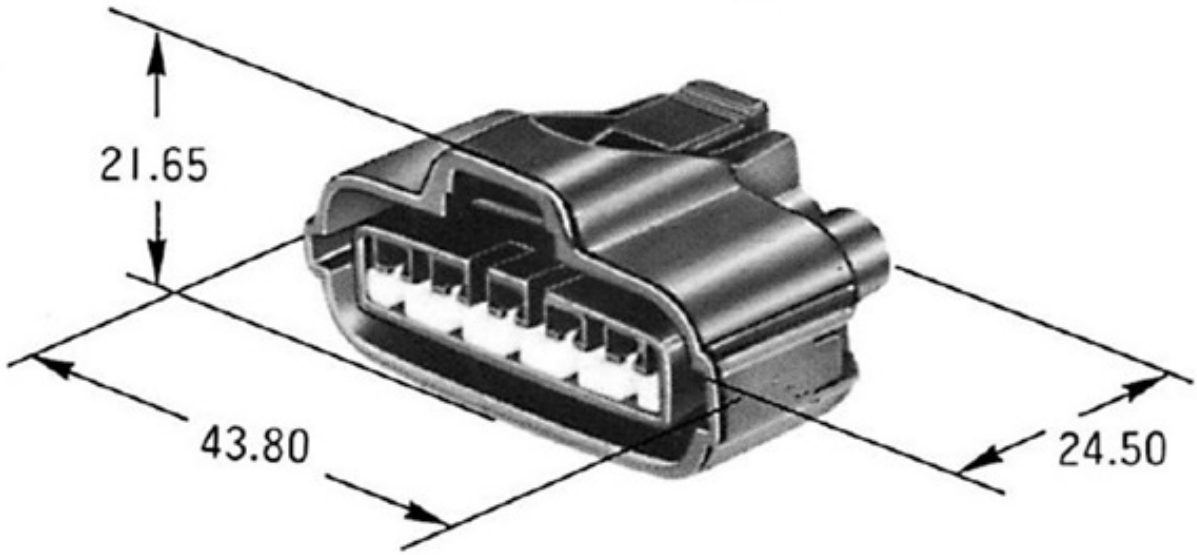
## Short Description

Yazaki 090II 5F Connector - Suits many different Toyota MAF Sensors.

## Description

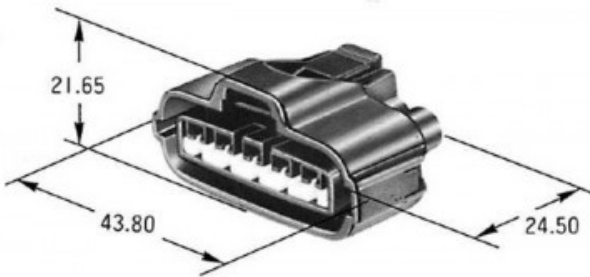
Unsealed/Seald	Sealed
Male/Female	Female
Number of Poles	5
Tab Width mm(inches)	2.3(090)
Material	PBT
Plating	-
Color	Black
Rating	-
Mating Part Numbers	-

## Drawing



7283-7050-30

## Product Gallery



7283-7050-30