

Bosch Motorsport In-line Fuel Pump >275l/h @5bar



Brand: Bosch Motorsport
Product Code: BOS0580464200
Availability: 7 Days
Weight: 0.50kg
Dimensions: 15.00cm x 5.00cm x 5.00cm

Price: \$295.00

Short Description

Newer version of the venerable "044" fuel pump with higher pressures for less amps.

Description

The "044" fuel pump was replaced in 2021 with a newer, improved version. This pump is capable of higher pressure with less current draw than the old version due to an improved impeller and motor design.

- >275l/h @ 5bar
- Supercedes the 0 580 254 044
- Flows ~10% higher than 044 at 7bar
- Weighs 15% less than 044 at 860g
- Current draw similar to 044
- M18x1.5 inlet fitting and M12x1.5 outlet fitting
- External non return valve
- Pressure relief valve 8-10bar
- Not suitable for voltage regulation
- Compatible with Gasoline and Diesel

Specifications



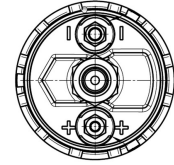
>275l/h @5bar In-line Fuel Pump

0 580 464 200

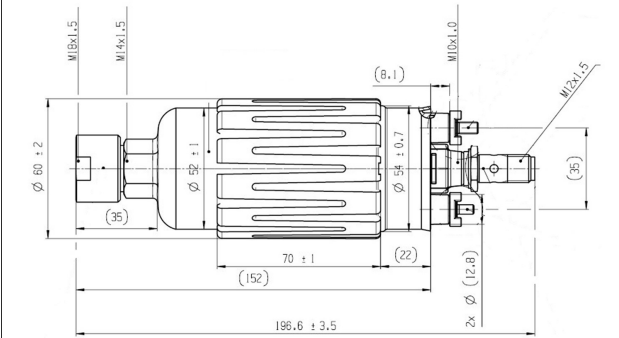


- Supercedes the 0 580 254 044
- Flows ~10% higher than 044 at 7bar
- Weighs 15% less than 044 at 860g
- Current draw similar to 044
- M18x1.5 inlet fitting
- M12x1.5 outlet fitting
- External non return valve
- Pressure relief valve 8-10bar
- Not suitable for voltage regulation
- Compatible with Gasoline and Diesel

Pinout



Dimensions



Installation Notes

Operating Voltage: 6 to 15V | Mount with rubber isolation for maximum life
Hydraulic connectors not attached to pump, included in the packaging

Characteristic Data

