

# Bosch Motorsport 201 In-line Fuel Pump

## >200l/h @5bar



**Brand:** Bosch Motorsport

**Product Code:** BOS0580464201

**Availability:** 7 Days

**Weight:** 0.50kg

**Dimensions:** 15.00cm x 5.00cm x 5.00cm

**Price: \$327.31**

### Short Description

Newer version of the venerable "979" fuel pump with higher pressures for less amps.

### Description

Smaller and lighter, the newer version can also sustain higher pressures for less current draw. As used in V8 Supercar.

- >200l/h @ 5bar
- Supercedes the 0 580 254 979
- M14x1.5 inlet fitting
- M12x1.5 outlet fitting
- M4 and M5 +/- screw terminals
- No non-return check valve
- Incl. Pressure relief valve
- 60mm diameter body

### Specifications



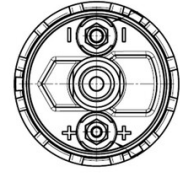
# >200l/h @5bar In-line Fuel Pump

0 580 464 201

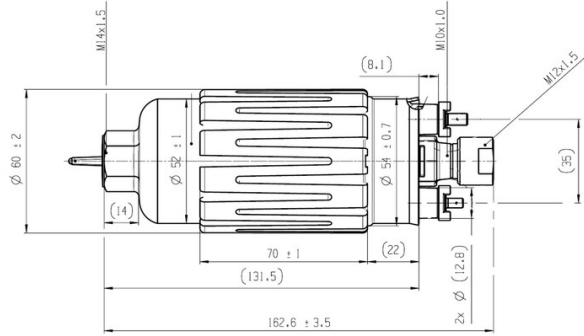


- Supercedes the 0 580 254 979
- Flows >200l/h @ 5bar
- M14x1.5 inlet fitting
- M12x1.5 outlet fitting
- M4 and M5 +/- screw terminals
- No non-return check valve
- Includes pressure relief valve
- 60mm diameter body
- Not suitable for voltage regulation
- Compatible with Gasoline and Diesel

### Pinout



### Dimensions



### Installation Notes

Operating Voltage: 6 to 15V | Mount with rubber isolation for maximum life  
 Hydraulic connectors not attached to pump, included in the packaging

### Characteristic Data

